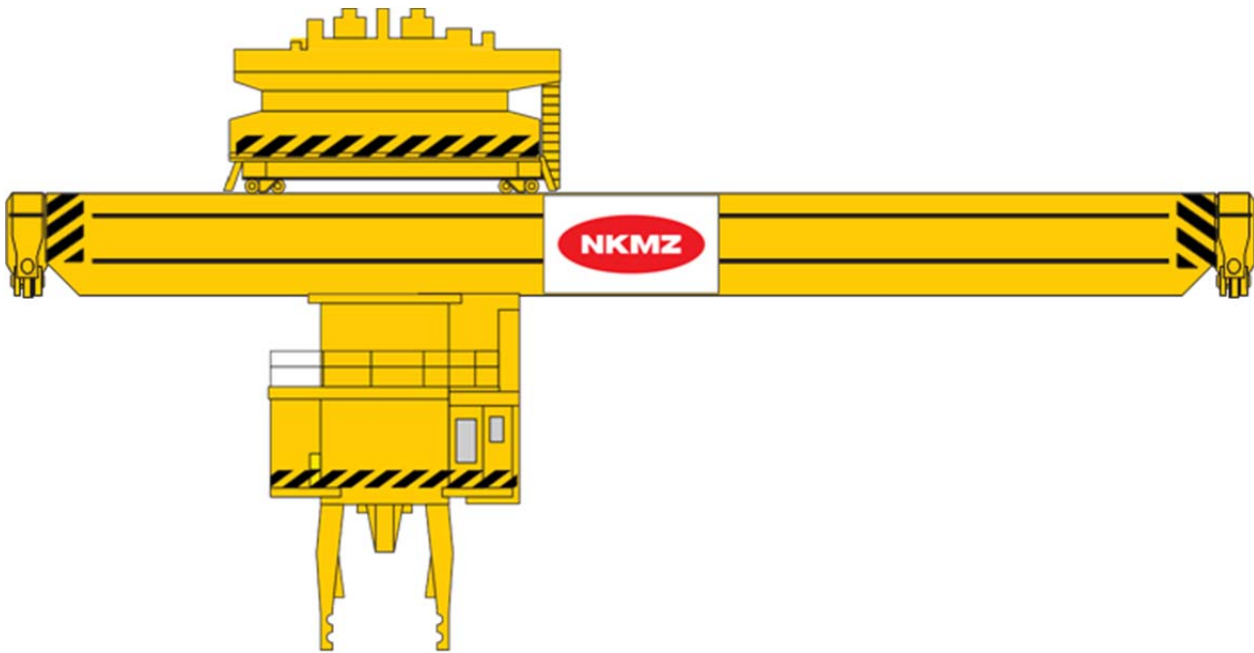


## Handling and special-purpose equipment. Special-purpose overhead cranes

Special-purpose overhead cranes are equipped with special gripping devices, grabs, magnets, tongs, claws. This group also includes cranes with design features in view of the peculiarity of the process or equipment being serviced, in particular quenching, foundry, pit, claw cranes, etc.

### INGOT STRIPPING CRANES



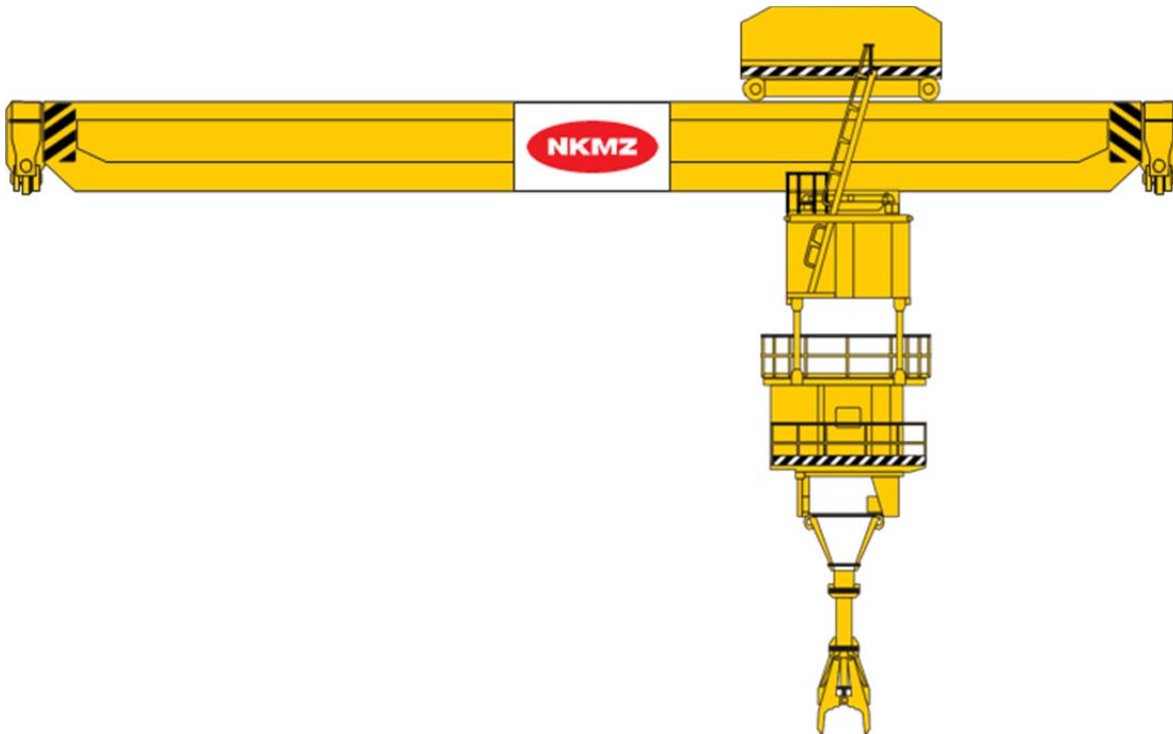
#### Technical specification

Parameter name	Value
Pushing force, tf	250...500
Lifting capacity, t: - when working with tongs with ingots in auxiliary operations:	Up to 50 Up to 50
Crane span, m	25...37

Basically, special-purpose cranes service continuous processes. Technical specifications of the cranes are determined by the specifics of work and serve as indicative.

**Handling and special-purpose equipment.  
Special-purpose overhead cranes**

PIT CRANE



Technical specification

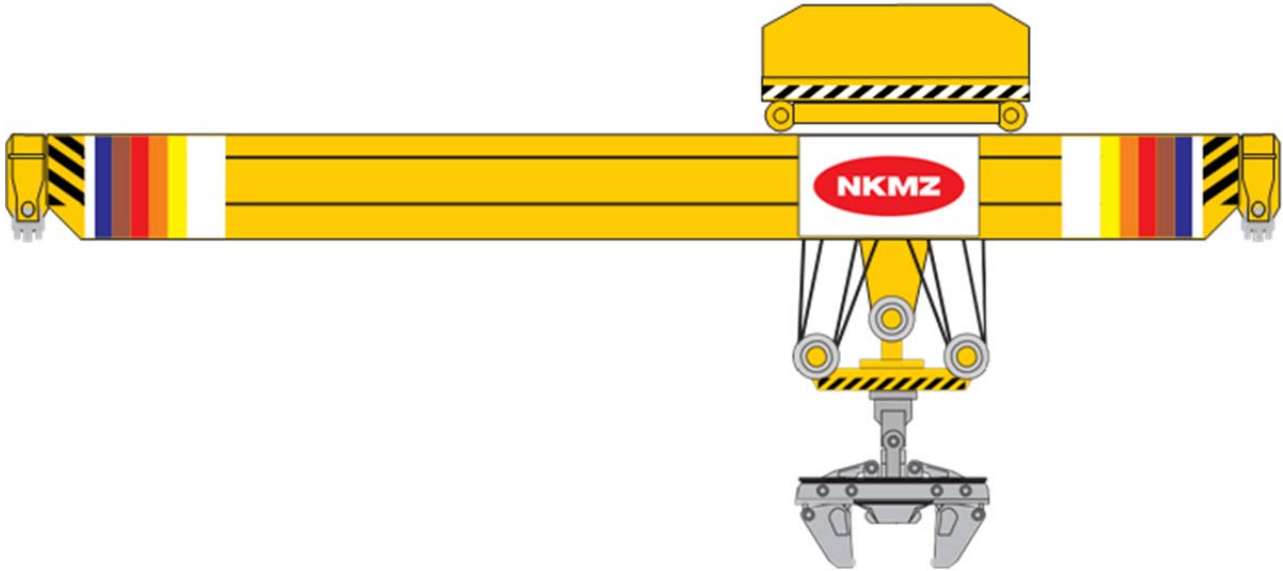
Parameter name	Value
Lifting capacity, t: - with tongs - of auxiliary hoist	10...40 10...50
Lift height, m	Up to 10
Crane span, m	Up to 37

Basically, special-purpose cranes service continuous processes.

Technical specifications of the cranes are determined by the specifics of work and serve as indicative.

**Handling and special-purpose equipment.  
Special-purpose overhead cranes**

SLABS HANDLING CRANE



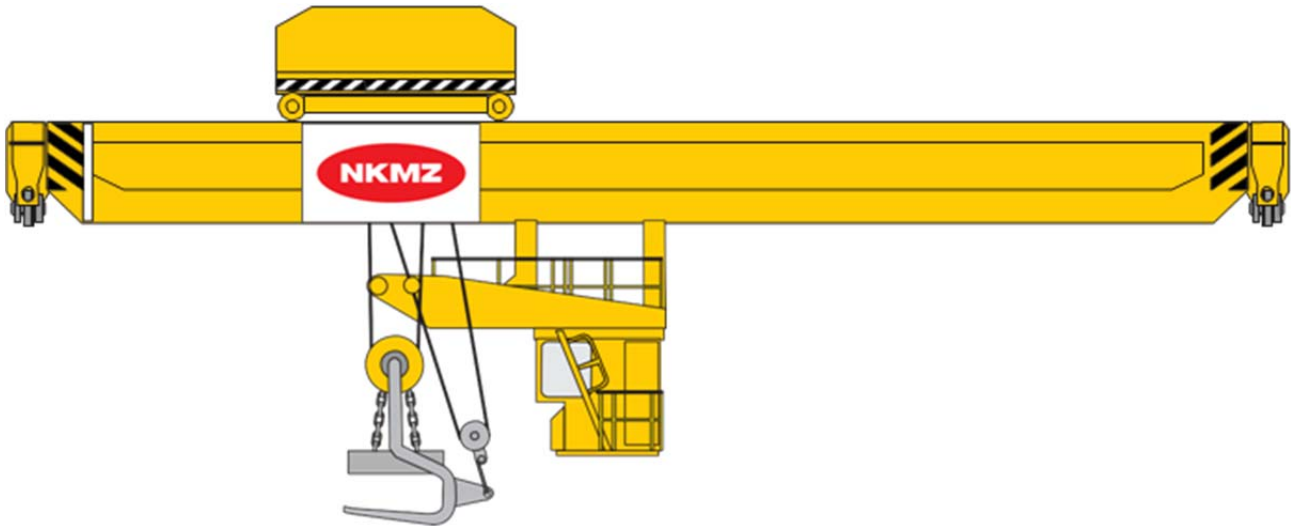
Technical specification

Parameter name	Value
Lifting capacity with tongs, t	Up to 150
Tongs lift height, m	Up to 15
Crane span, m	Up to 37

Basically, special-purpose cranes service continuous processes.

Technical specifications of the cranes are determined by the specifics of work and serve as indicative.

**Handling and special-purpose equipment.**  
**Special-purpose overhead cranes**  
CRANE WITH CLAWS (CLAW CRANE)



Technical specification

Parameter name	Value
Lifting capacity, t: - with hoist adapters - with magnets - with hooks	Up to 25 Up to 25 Up to 25
Lift height, m	Up to 8
Crane span, m	Up to 37

Basically, special-purpose cranes service continuous processes.

Technical specifications of the cranes are determined by the specifics of work and serve as indicative.