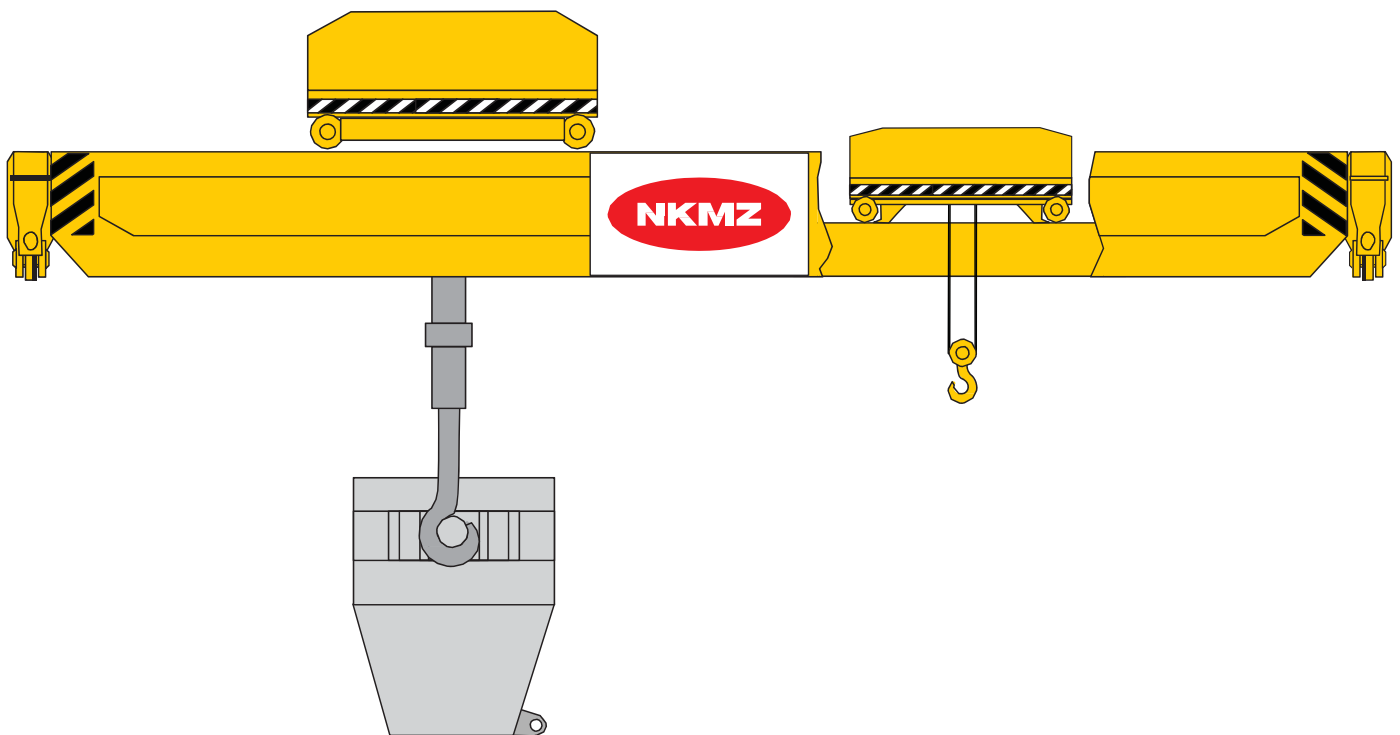


## Handling and special-purpose equipment Overhead pouring cranes

Pouring crane



### Technical specification

Parameter description	Value
Lifting capacity, t: - main hoist - auxiliary hoist	125...630 up to 100
Crane stroke, m: - main hoist - auxiliary hoists	up to 35
Crane span, m	up to 37