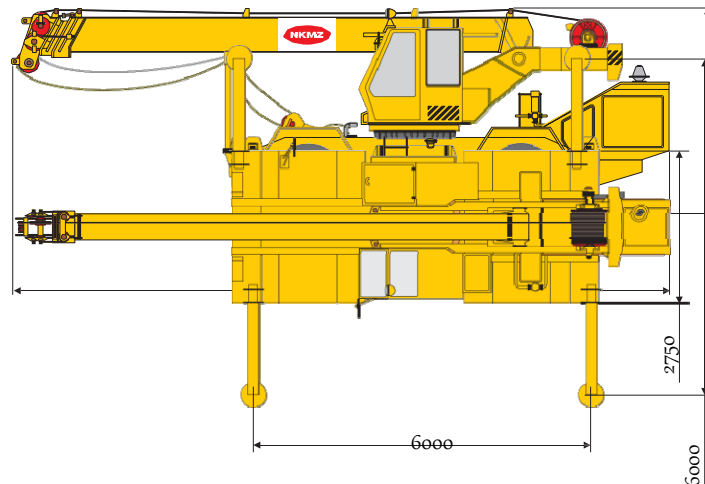


**Handling and special-purpose equipment**  
**Self-propelled jib cranes. Wheeled jib cranes.**

SPECIAL CRANE KKC-30 ON SHORT WHEELBASE

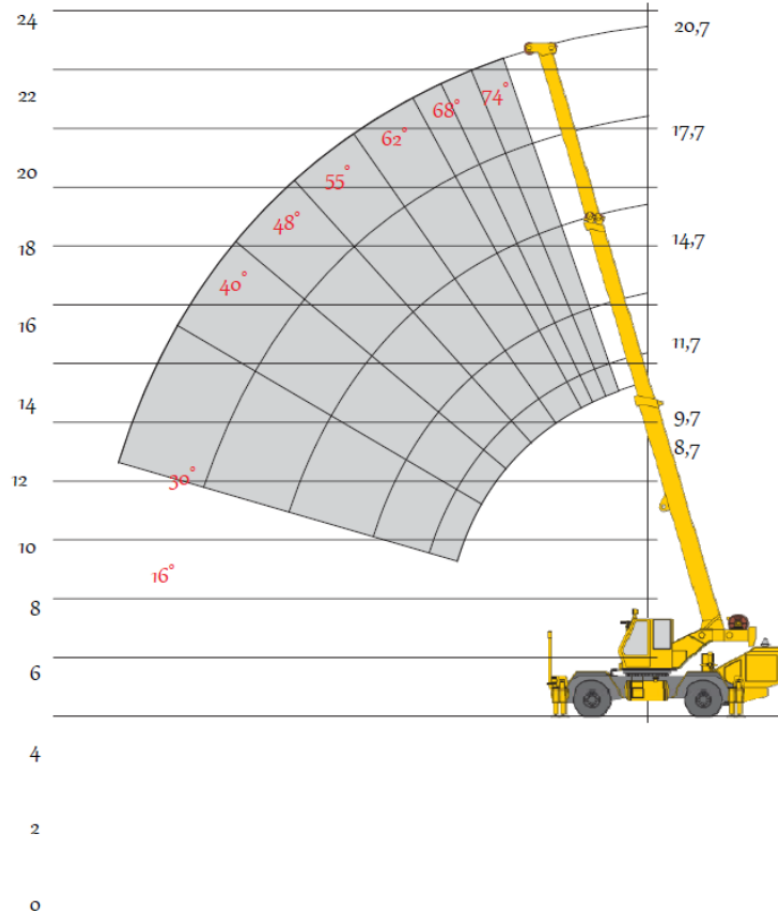


Self-propelled full-swing jib hydraulic crane KKS-30 with a lifting capacity of 30 t is designed for handling, construction and installation works while constructing buildings and structures, emergency recovery and installation works.

Technical specification

Parameter name	Value
Lifting capacity, t	30
Outreach from the crane rotation axis, m - minimum - maximum	3 18
Telescopic jib length, m	8,7...20,7
Maximum load lift height, m	7
Motor power, l.s.	165
Traveling speed, km/h	40
Gradeability, degree	18
Wheel arrangement	4x2 (4x4)
Crane weight in operating condition, t	22

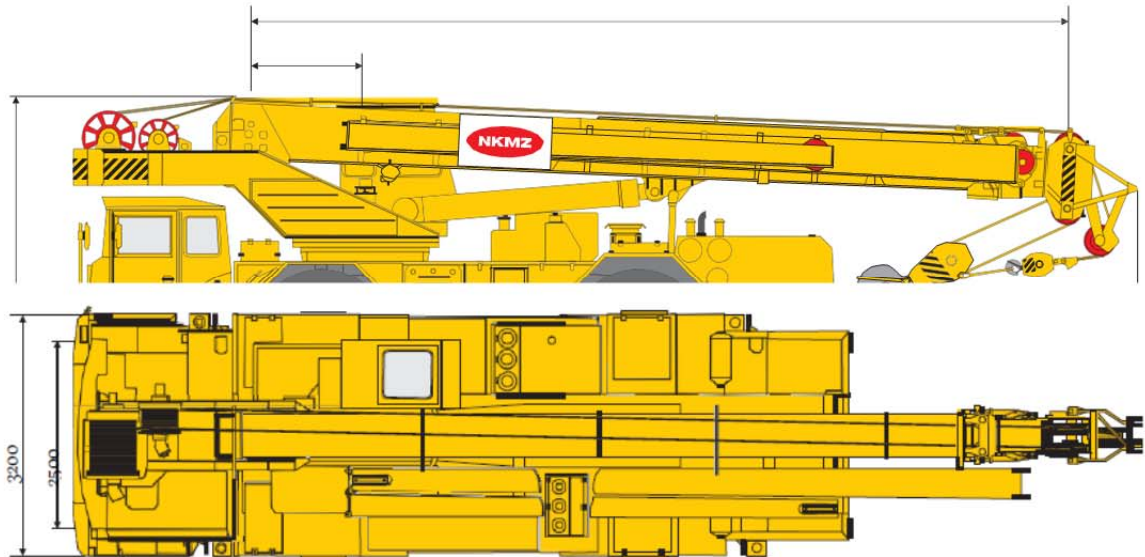
**Handling and special-purpose equipment**  
**Self-propelled jib cranes. Wheeled jib cranes.**  
SPECIAL CRANE KKC-30 ON SHORT WHEELBASE



Outreach, m	Jib length, m					
	8,7	9,7	11,7	14,7	17,7	20,7
3	25	25	20			
3,5	20	20	18	17		
4	15,8	15,8	15	15	15	14,5
5	14,5	14	14	14	13	11
6	11	10,9	10,8	10,8	10,5	10
7			10	9,6	9,3	9,3
8			8,1	8	7,9	7,7
10				5,6	5,6	5,5
12						4,3
14						3,4
16						3
18						2,6

## Handling and special-purpose equipment Self-propelled jib cranes. Wheeled jib cranes.

### SPECIAL CRANE KKC-55 ON SHORT WHEELBASE



Jib design provides automatic extension of all jib sections, eliminating the presence of a "dead" segment.

The increased rope capacity of the winch during operation with the main jib (without extension) allows only one reeving in the range of all jib lengths.

The availability of additional autonomous electro-pumping unit powered from industrial network or an external source expands the crane's operational capabilities, significantly increases its operating life and saves fuel.

For heating the operator's cab, new, environmentally friendly, safe and easy-to-use electric heaters have been used.

In addition, blocking unit of the main winch rope tension was introduced, which ensures operating safety in case of incorrect actions of the operator.

Availability of separate cabins for driver and operator improves the convenience of work in transport and crane modes and increases reliability.

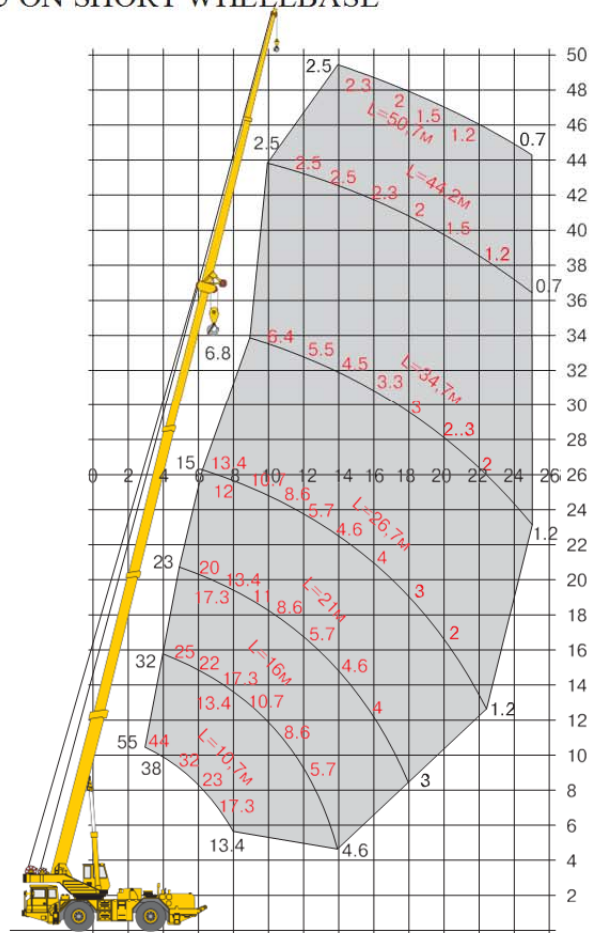
The adopted arrangement of the crane equipment provides free access to the undercarriage mechanisms during maintenance and repair with the dismantling of the undercarriage units using the crane itself.

The use of short-wheelbase undercarriage with the capability to control two bridges for movement along the small radius or as a "crab" allows to work in tight spaces.

The two-section extension cord mounted on the jib is quickly and easily put into working position.

**Handling and special-purpose equipment**  
**Self-propelled jib cranes. Wheeled jib cranes.**

**SPECIAL CRANE KKC-55 ON SHORT WHEELBASE**

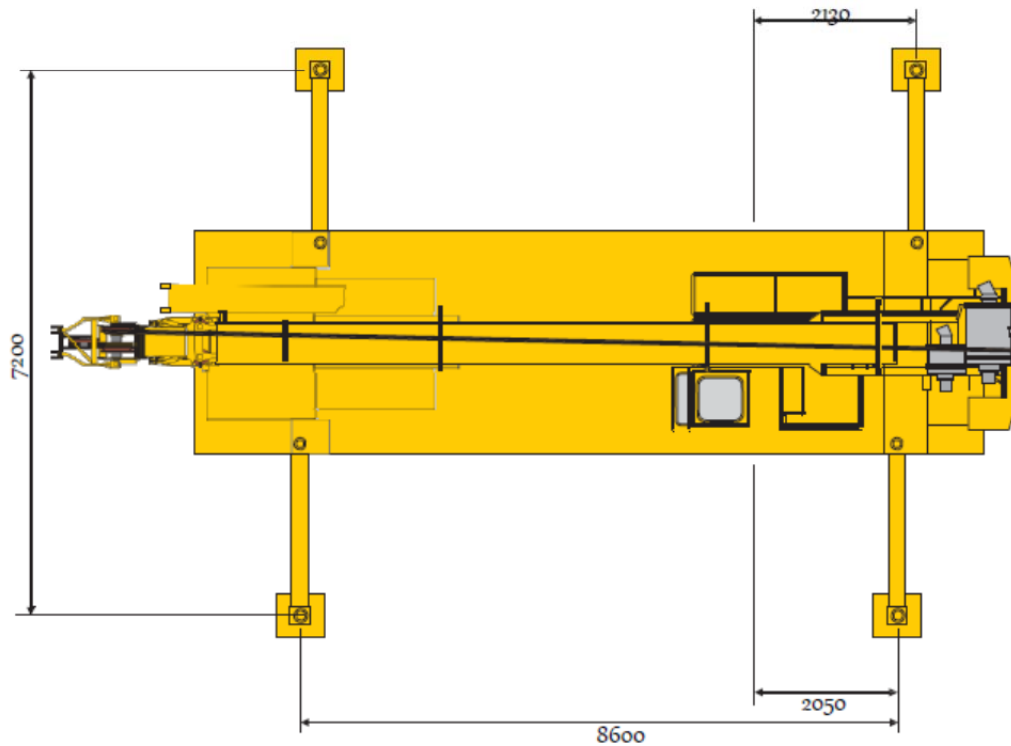
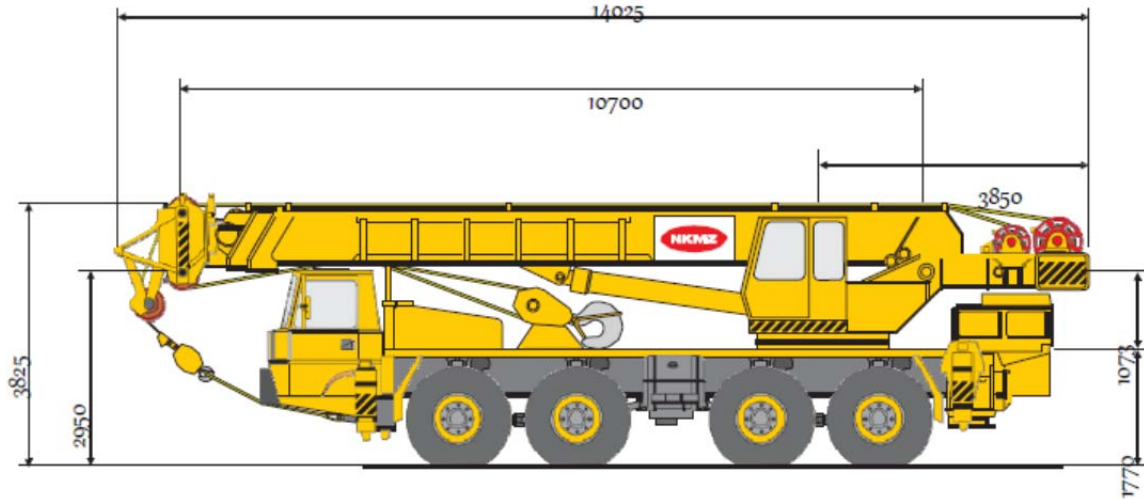


Technical specification

Parameter name	Value
Maximum lifting capacity, t	55
Maximum hook lifting height, m: - on main jib - with extension	34,2 48,5
Jib outreach, m	3...25
Main jib length, m: - with extension	10,7...34,7 50,7
Speed of load raising-lowering, m <sup>-1</sup>	0,2...10
Rotation frequency of revolving part, rev <sup>-1</sup>	0,2...0,7
Max. crane travel speed, km / h	40
Wheel arrangement	4x4
Track, m	2,5
Undercarriage motor power, l.s.	300
Control	By one or two bridges synchronously, incl. by "crab"
Design weight, t	46.5

**Handling and special-purpose equipment**  
**Self-propelled jib cranes. Wheeled jib cranes.**

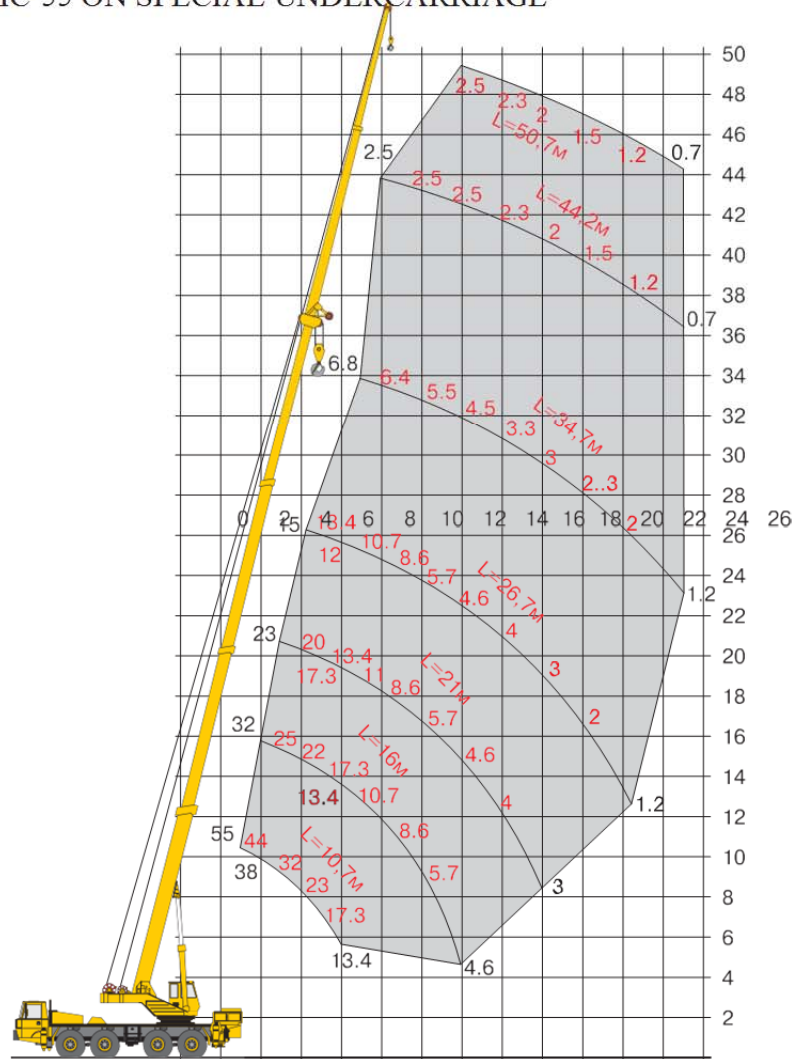
CRANE KIIIIC-55 ON SPECIAL UNDERCARRIAGE



High mobility and maneuverability.

The drive and controllability of all the wheels allow the crane to move as a "crab". The four-link jib provides increased rigidity, automatic extension of all the sections and excellent load characteristics.

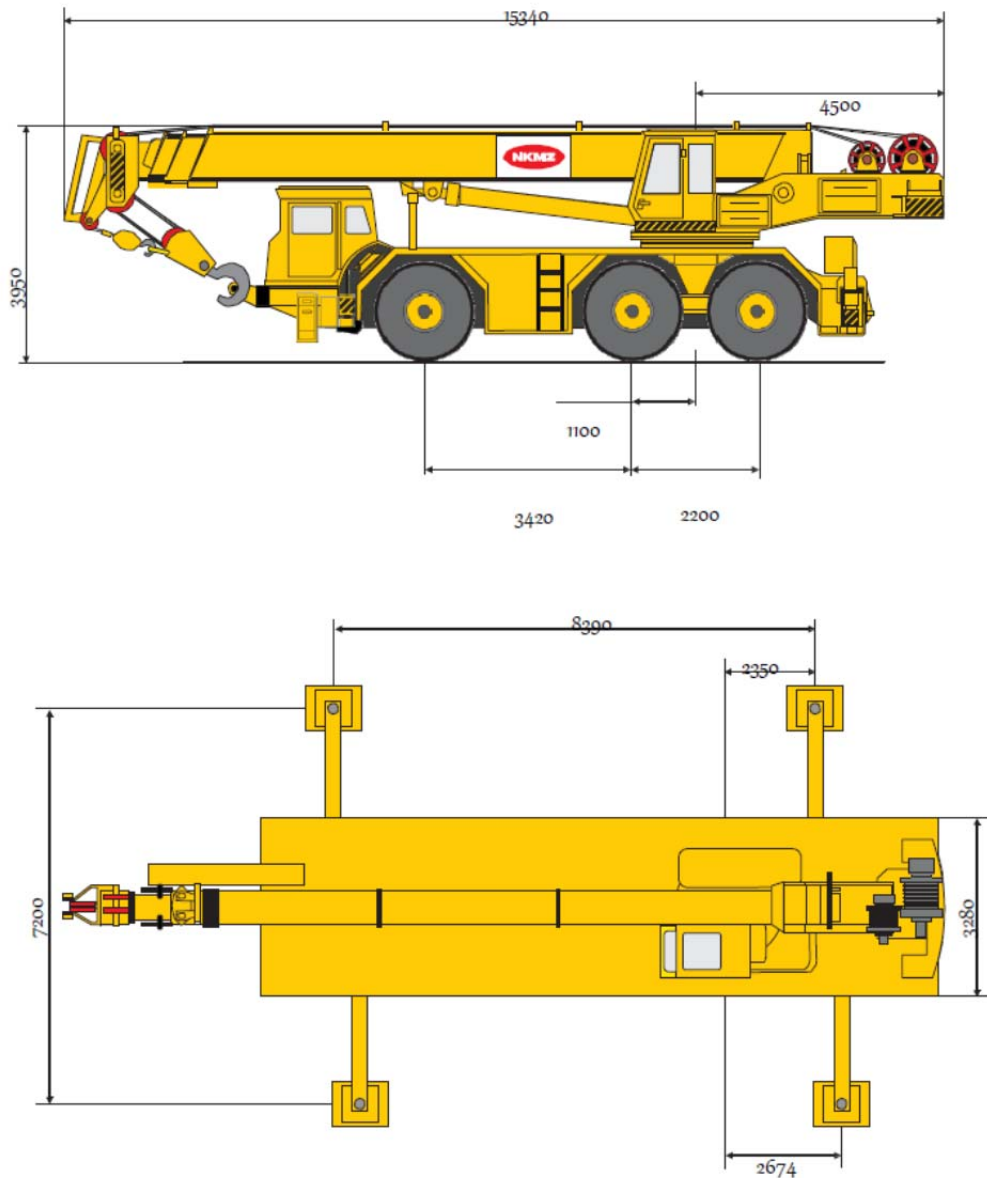
**Handling and special-purpose equipment**  
**Self-propelled jib cranes. Wheeled jib cranes.**  
**CRANE KIIIIC-55 ON SPECIAL UNDERCARRIAGE**



Technical specification

Parameter name	Value
Lifting capacity, t	55
Outreach from the crane rotation axis, m	
- minimum	3
- maximum	25
Maximum lifting height, m:	
- on main jib	34,4
- with extension	50
Maximum load lift height, m	10,5
Motor power, l.s.	470
Travel speed, km/h	60
Wheel arrangement	8x8
Crane weight in operating condition, t	50

**Handling and special-purpose equipment**  
**Self-propelled jib cranes. Wheeled jib cranes.**  
SPECIAL CRANE KKC-90 ON SHORT WHEELBASE



High maneuverability.

Hydraulic drive of the crane works from the undercarriage motor and from the power supply network of 380 V.

The four-link jib provides increased rigidity, automatic extension of all the sections and excellent load characteristics.

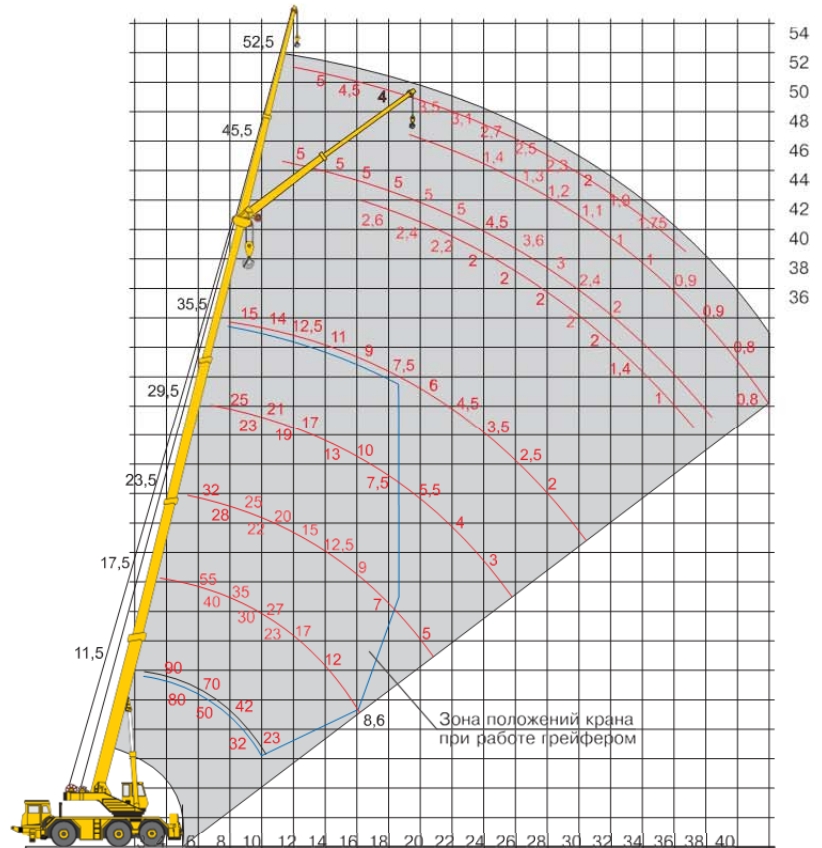
Separate cabins for driver and operator create operational convenience in transport and crane modes. Layout of the crane equipment provides easy access to the undercarriage mechanisms during maintenance.

The two-section extension is mounted on the jib and is easily activated.

Protection equipment (A3K-2) monitors operating parameters, prevents overloads and provides coordinate protection.

Can be completed with a grab at the customer's request.

**Handling and special-purpose equipment**  
**Self-propelled jib cranes. Wheeled jib cranes.**  
**SPECIAL CRANE KKC-90 ON SHORT WHEELBASE**



Technical specification

Parameter name	Value
Lifting capacity on supports: - maximum of main lift, t - maximum of auxiliary lift, t	90 5
Lifting capacity at a maximum outreach, t	1,2
Maximum lifting height, m: - of maximum load, m - with main jib, m - with extension, m	11 36 53
Maximum outreach: - with main jib, m - with extension relative to the boom axis 35 °, m - с удлинителем относительно оси стрелы 35°, м	26 34 40
Minimum outreach at maximum lifting capacity, m	3
Maximum lowering depth, m	13,5
Maximum travel speed, km/h	40
Wheel arrangement	6x4
Undercarriage motor power, l.s.	300
Design weight, t	65